

Vi1003M

Twisted Pair Video Balun

Features

- Quality color and B&W video or PTZ signals over 1000 feet (305 m) of unshielded twisted pair wires
- 3000 feet (1000 m) with Vigitron Active Receivers
- NTSC, PAL , and SECAM video formats
- Support for "up-the-coax" type signals
- No power required
- Built-in surge protection
- 60 dB crosstalk and noise immunity
- Compact size and easy installation
- Compatible with all qualified UTP cameras
- Limited lifetime warranty



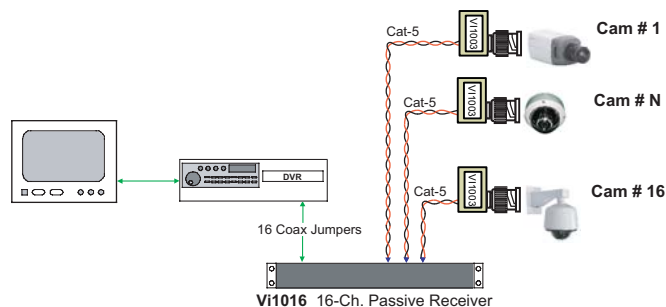
Applications

- Security and Surveillance
- Elevator Surveillance
- Casino Security
- Hospitals and Airports
- School Campuses

The Vigitron Vi1003M is a passive transmission device that transports video and/or PTZ (pan/tilt/zoom) signals over unshielded twisted pair wires, point-to-point, for distances up to 1000 feet* (305 m). Distances up to 3000 feet (1000m) can be achieved when it is used with Vigitron active UTP receivers. It uses Category 2-5 twisted pair wires, is easy to install and cost effective, and does not require power. The Vi1003M's unique and compact design allows mounting directly to the video source or receiver without any additional cabling. The Vi1003M is compatible with all qualified cameras with built-in twisted pair transmitter.

The Vi1003M has built-in surge suppression to protect video equipment against damaging voltage spikes. Its crosstalk and noise immunity ensure quality video signals. The Vi1003M offers quality video in a compact size at a highly affordable price. It is ideal for a wide variety of applications such as security, surveillance, video conferencing, and elevator surveillance.

Application Diagram



The smart choice for quality video



www.vigitron.com

DSVi1003M_0805

Technical Specification**

Electrical

Video Format	NTSC, PAL, SECAM
Frequency	DC to 10 MHz
Coax	75 Ohm
Twisted Pair	100 Ohms +/- 20%, 24 AWG min up to 1000 feet (305 m)* Unshielded Category 2-5
Insertion Loss	0.3 dB
CMRR	60 dB
Power	No power required
Connectors	Video: Male BNC UTP: Terminal Block
Transient Immunity	6000V, 1.2 uS x 50 uS

Environmental

Humidity	0 to 95%, non-condensing
temperature	Operating: -10C to +70C Storage: -30C to +70C

Mechanical

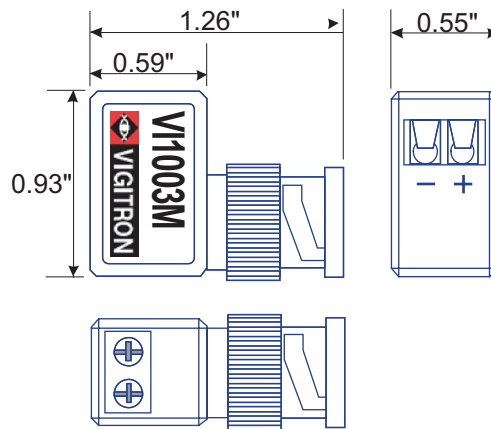
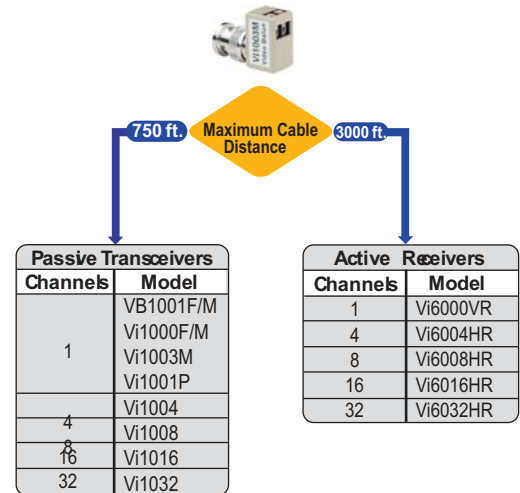
Dimensions	1.26x0.94x0.55 Inches (32x23.6x14 mm)
Weight	0.7 oz (20 g)
Material	Bone ABS Plastic, UL rating of 94V-0

*It is recommended not to exceed 750 feet (250m) when using with digital equipment.
**Specifications subject to change without notice.

Ordering Information

PART No.	Description
Vi1003M	Video balun W/ Male BNC

System Configuration



Wire and Cable Recommendations

The Vigitron products are designed to be used with unshielded twisted pair (UTP) wiring. The UTP wire must be 24AWG - 12AWG or Category 2 - 7 cable. Multi-pair cable with an overall shield is acceptable, however individually shielded pairs should be avoided. Multiple UTP Video feeds can be operated in the same communication cable along with telephone, computer, control signals and low power voltages. While UTP video may be routed through punch-down block terminals, any resistive, capacitive or inductive devices (such as T-taps or MOV's) must not be used. For more specific information regarding wire types and proper installation techniques, please contact Vigitron for technical assistance.



TEL (+1) 858-484-5209 • FAX (+1) 858-484-1205
13906 Sparren Ave. San Diego, CA 92129, USA • info@vigitron.com • www.vigitron.com