

**D150HF-VRH/GCDPH38V95
D150HF-VRH/GCDPH29V10
D150HF-VRH/GCDPH9V22**

**TESTED AND CERTIFIED TO MEET
INTERNATIONAL AND RAILWAY
EMC STANDARDS**

Suitable for indoor and outdoor installations, the D150HF series housing rated IP 67 is a cast aluminium construction and features a flame-retardant nylon body. Installation could not be easier combining the option of surface and flush mount configurations with NTP standard conduit entries for easy cabling. The housing integrates HQ1 DSP camera modules delivering 540 TV Lines and available with a choice of 3.8~9.5mm, 2.9~10mm and 9~22mm lenses.

The D150HF series has been tested and certified to meet the elevated EMC and vibration standards required for railway installations.



Features

- Indoor/Outdoor with Surface or Flush Mount
- IP 67
- Cast Aluminium Alloy Powder Coated Shell
- Impact and Scratch Resistant Optically Correct Clear Polycarbonate Bubble (Tinted Bubble available - Terms Apply)
- 25mm/ 3/4" NPT Standard Threaded Conduit on Rear and Side
- 3-Axis gimbal
- 540 TVL
- 3.8~9.5mm, 2.9~10mm or 9~22mm lenses
- 12VDC/24VAC Power Supply Converter for the Camera

Mechanical

Material	Pressure cast Aluminium Shell Flame Retardant Nylon Body Polycarbonate Bubble
Dimensions	Base Diameter: 154mm; 6.1" Total Depth: 102mm; 4"
Finishes	White RAL 9010
Bubble Thickness	2.5mm Polycarbonate

Environmental

Integrity	Weatherproof, IP67
Operating Temperature	-20°C ~ 50°C
Storage Temperature	-30°C ~ 60°C

Electrical

Voltage	12 V DC / 24 V AC
Power	3.5 Watts
Current	250mA (12V DC) 125mA (24 V AC)

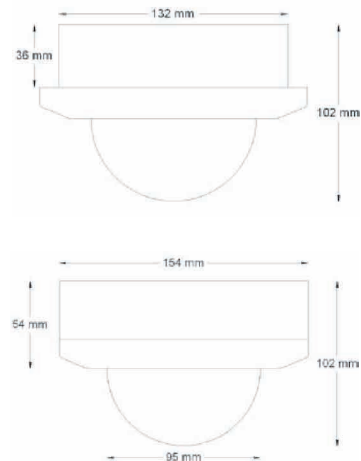
Connectivity

Video	BNC connector on lead and screw terminal board
Power	2.1x 5mm DC jack on lead and screw terminal board

Features

Fixing	Wall and Ceiling Mount - can be mounted Surface or Recessed/Flush in both mounting applications
Cable Entry	20mm Knock out Rear only 3/4" NPT Rear and Side Conduit Entries
Construction	Anti Grip Ridgeless shape Dome Liner to reduce glare and obscure camera position

Dimensions



Continued on reverse



D150HF-VRH/GCDPH38V95 D150HF-VRH/GCDPH29V10 D150HF-VRH/GCDPH9V22

(Continued)

High specification railway approved dome with HQ1 DSP camera modules delivering 540 TV Lines and the choice of 3.8~9.5mm, 2.9~10mm or 9~22mm lenses

General Camera Specifications

Image size	1/3 Format Interline CCD Sensor
Pixel Element	PAL 768H x 582V, 430K pixels
	NTSC 752H x 494V, 380K pixels
Scanning Frequency	PAL 2:1 Interface / H: 15625, V: 50Hz
	NTSC 2:1 Interface / H: 15750Hz, V: 59.94Hz
Operation Temperature	-20°C ~ +50°C
Storage Temperature	-30°C ~ +60°C
Power Source	DC12V +/- 15% (supplied from housing)
Power Consumption	3W
Lens Mount	Direct Mount
External Dimensions	80mm(D) x 80(W) x 75mm(L)
Weight	150g
Certification Standard	CE / FCC

Functional Specifications

Exposure Control	DC Auto Iris Drive
BLC	Centre Area for Auto Iris
White Balance	Auto White Balance
Auto White Balance Range	AWB 2700K ~ 11000K
	AWB-EX 2000K ~ 18000K
Day & Night	Software Day Night
	Colour Killer Auto Detect
AGC Boost	Enhance AGC Gain to max. 30dB
Line Lock Phase adjust Range	0° ~ 270°
Line Lock Frequency Range	50Hz ±1Hz

Video Specifications

Resolution	Normal Mode 540 TV Lines
	S-D/N Mode 570 TV Lines
Minimum Illumination	0.6 lux @ F=1.2
	(50 IRE Video Output)
Video Output	1.0Vpp 750hm BNC unbalanced
S/N Ratio	50dB
AGC Turbo Gain	30dB
AGC Preset Gain	26dB
H Aperture	10 IRE (r 0.45 100IRE Video Output)
V Aperture	10 IRE (r 0.45 100IRE Video Output)
Gamma Compensation	0.45

Functional Control or Adjustments

Exposure Control	DC Drive Lens
SDN	OFF / ON Switchable
BLC	OFF / ON Switchable
AGC Selectable	AGC-EX / AGC Norm
SYNC System	INT / LL
Flickerless	OFF / ON
ABW Range	AWB / AWB-EX
V-Phase	Var-Resistor on side panel
Lens Level Control	Var-Resistor on side panel

Lens Data

D150HF-VRH/GCDPH38V95

Mounting Type	Ø 14 direct mount
Type of Focal	Varifocal
Type of Iris	DC Drive Auto-Iris
	3.8 ~ 9.5mm Focal Length
Iris	F1.2 ~ 360
	Diagonal 96.8° ~ 37.4°
	Horizontal 74.2° ~ 30.0°
	Vertical 50.4° ~ 22.4°
Minimum Object Distance	0.15m
Dimensions	Ø29 X 39 x (40.7)mm
Lens	Aspherical

D150HF-VRH/GCDPH29V10

Mounting Type	Ø 14 direct mount
Type of Focal	Varifocal
Type of Iris	DC Drive Auto-Iris
	2.9 ~ 10mm Focal Length
Iris	F1.2 ~ 360
	Diagonal 125.0° ~ 36.0°
	Horizontal 94.6° ~ 28.8°
	Vertical 68.4° ~ 21.6°
Minimum Object Distance	0.15m
Dimensions	Ø29 X 39 x (40.7)mm
Lens	Aspherical

D150HF-VRH/GCDPH9V22

Mounting Type	Ø 14 direct mount
Type of Focal	Varifocal
Type of Iris	DC Drive Auto-Iris
	9 ~ 22mm Focal Length
Iris	F1.5 ~ 360
	Diagonal 39.2° ~ 16.4°
	Horizontal 30.6° ~ 13.0°
	Vertical 22.6° ~ 9.8°
Minimum Object Distance	0.15m
Dimensions	Ø29.2 X 40.2 x (40.5)mm
Lens	Aspherical

3-Axis Gimbal

