

AXIO™



- Colour/monochrome
- 0 Lux (IR LED on)
- 420 line resolution
- 3.6mm board lens
- AUTO tracking white balance
- 1/3" Sony colour high resolution CCD

AXIO Camera

AXIO-IRD36

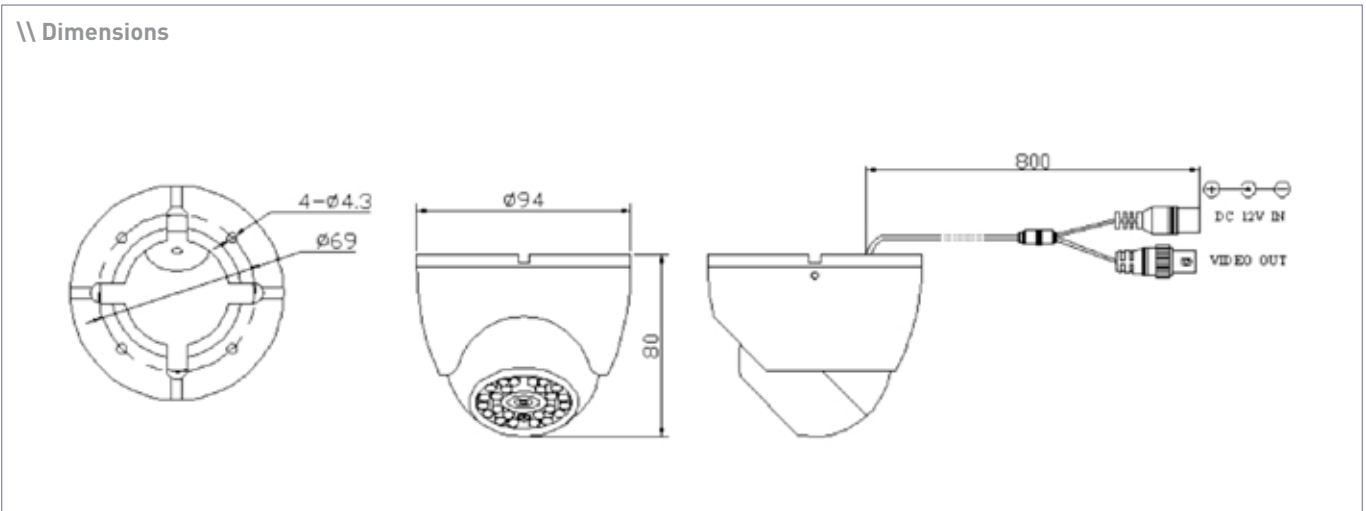
The AXIO-IRD36 is our entry level external IR dome in the new AXIO range of products. Even though this is an entry level product, it provides excellent performance with 24 IR LED's giving a viewing distance of 15 metres, dual glass technology, 420TVL resolution and 3-axis bracket.

\\ Additional features

- 2:1 Interlace scanning system
- Signal / noise ratio $\geq 48\text{dB}$
- Back light compensation
- Auto gain control
- 24 IR LED's
- 15m IR distance



Specifications	AXIO-IRD36
General Specifications	
Type	Colour/Monochrome
Image Sensor	1/3" Sony Colour High Resolution CCD
Signal Format	PAL
Picture Elements	PAL: 537H × 597V
Horizontal Frequency	PAL: 15.625KHz
Vertical Frequency	PAL: 50Hz
Clock Frequency	PAL: 28.375MHz
Scanning System	2:1 Interlace
Resolution	420 TV Line
S/N Ratio	≥48dB
Min Illumination	0 Lux (IR LED on)
Auto Electronic Shutter	PAL: 1/50-1/100,000S
White Balance	AUTO Tracking
Back Light Compensation	ON
Auto Gain Control	ON
Lens	3.6mm Board Lens
Video output	1V p-p, 75Ω
Gamma Correction	0.45
Current Consumption	270mA (MAX)
Power Supply	DC12V ±5%
Weight	460g
Dimensions	94 × 80mm
Storage Temperature	-30 ~ +60°C
Operating Temperature	-30 ~ +40°C
Warning: Non-regulative adaptor may cause camera damage.	



For further information please contact