



- Colour/monochrome
- 0 Lux (IR LED on)
- 520 line resolution
- Digital IR camera
- AUTO tracking white balance
- 1/3" Sony colour high resolution CCD

EDGE Camera EDGE-IRD2811

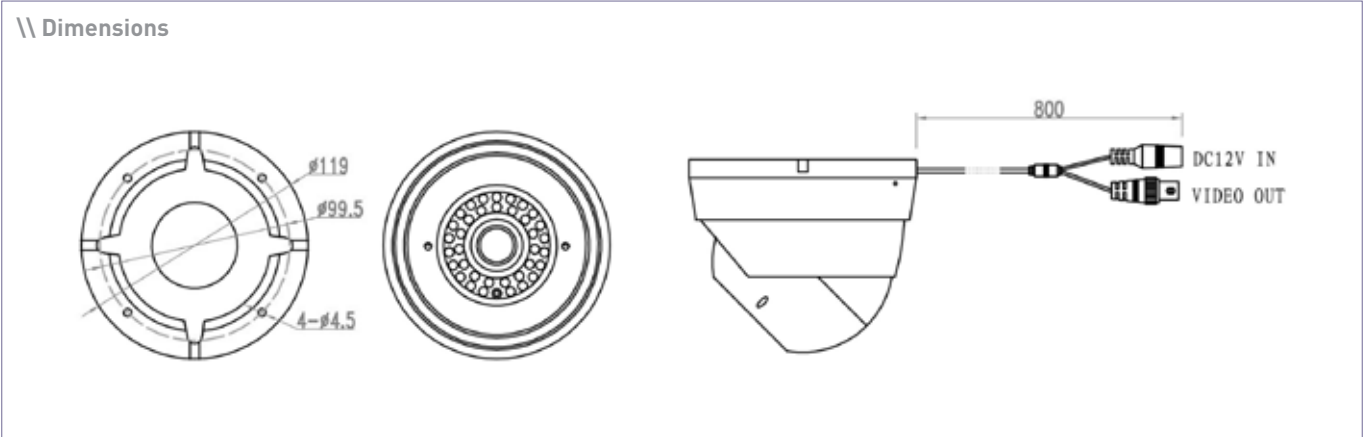
The EDGE-IRD2811 is an excellent value for money external IR dome in the new EDGE range of products. Even though this is a cost effective product, it provides excellent performance with 36 IR LED's giving a viewing distance of 20 metres, dual glass technology, 2.8-11mm vari-focal lens, 520TVL resolution and 3 -axis bracket.

\\ Additional features

- 2:1 Interlace scanning system
- Signal / noise ratio ≥ 50 dB
- Back light compensation
- Auto gain control
- 2.8-11mm varifocal IR Lens
- 36 IR LED's
- 20m IR distance



Specifications	EDGE-IRD2811
General Specifications	
Type	Colour/Monochrome
Image Sensor	1/3" Sony Colour High Resolution CCD
Signal Format	PAL
Picture Elements	PAL: 795H x 596V
Horizontal Frequency	PAL: 15.625KHz
Vertical Frequency	PAL: 50Hz
Clock Frequency	PAL: 28.375MHz
Scanning System	2:1 Interlace
Resolution	520 TV Line
S/N Ratio	≥50dB
Min Illumination	0 Lux (IR LED on)
Auto Electronic Shutter	PAL: 1/50-1/100,000S
White Balance	AUTO Tracking
Back Light Compensation	ON
Auto Gain Control	ON
Lens	2.8-11mm Varifocal IR Lens
Video output	1V p-p, 75Ω
Gamma Correction	0.45
Current Consumption	340mA (MAX)
Power Supply	DC12V ±10%
IR Effect Distance	20m (Outdoor)
Weight	950g
Dimensions	120 x 100mm
Storage Temperature	-30 ~ +60°C
Operating Temperature	-30 ~ +40°C
Warning: Non-regulative adaptor may cause camera damage.	



For further information please contact