

AXIO™

AXIO



- Colour/monochrome
- 0 Lux (IR LED on)
- 520 line resolution
- Weatherproof varifocal IR camera
- AUTO tracking white balance
- 1/3" Sony colour high resolution CCD

AXIO Camera

AXIO-IRB922TDN

The Axio-IRD922TDN is an excellent value for money external IR bullet camera in the new AXIO range of products.

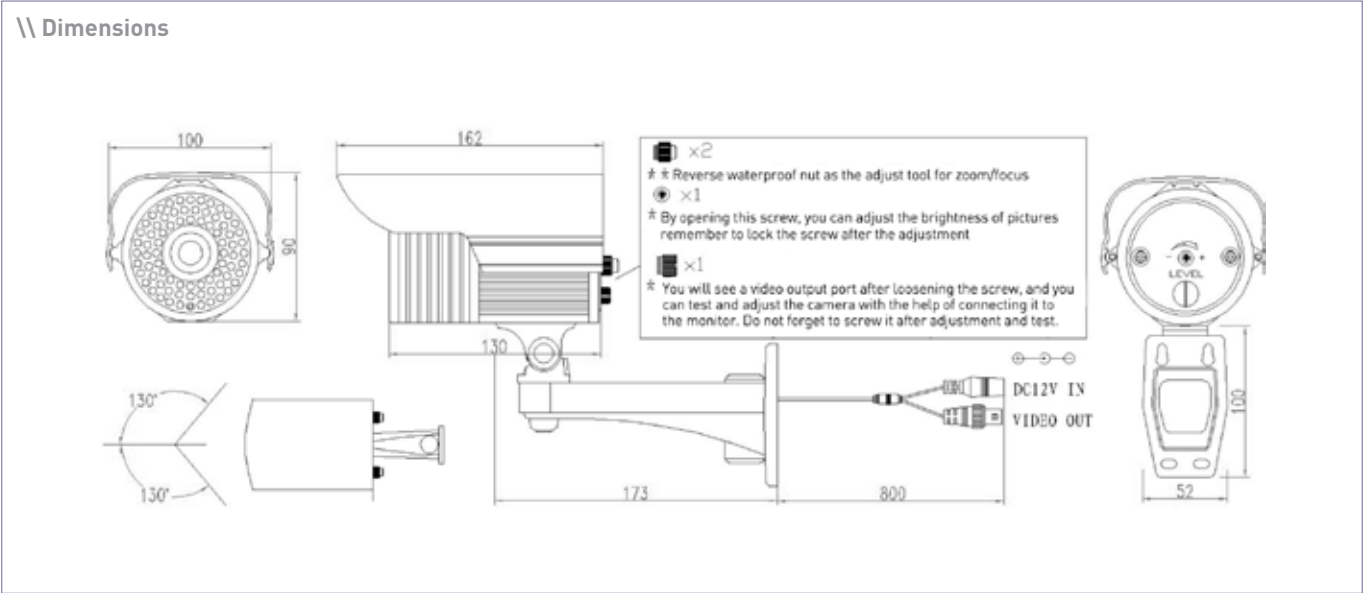
The AXIO-IRB922TDN provides excellent performance with 76 IR LED's giving a viewing distance of 30 metres, ICR (removable cut filter), test monitor output, dual glass technology, 9-22mm varfi-focal lens and 520TVL Resolution

\\ Additional features

- 2:1 Interlace scanning system
- Signal / noise ratio ≥ 52 dB
- Back light compensation
- Auto gain control
- 9-22mm varifocal auto iris IR lens
- ICR (removable cut filter)
- 76 IR LED's
- Test monitor output
- 30m IR distance



Specifications	AXIO-IRB358TDN
General Specifications	
Type	Colour/Monochrome
Image Sensor	1/3" Sony Colour High Resolution CCD
Signal Format	PAL
Picture Elements	PAL: 795H x 596V
Horizontal Frequency	PAL: 15.625KHz
Vertical Frequency	PAL: 50Hz
Clock Frequency	PAL: 28.375MHz
Scanning System	2:1 Interlace
Resolution	520 TV Line
S/N Ratio	≥52dB
Min Illumination	0 Lux (IR LED on)
Auto Electronic Shutter	PAL: 1/50-1/100,000S
White Balance	AUTO Tracking
Back Light Compensation	ON
Auto Gain Control	ON
Lens	9-22mm Varifocal Auto Iris IR Lens
Video output	2 x 1V p-p, 75Ω. 1 Main, 1 x test
Gamma Correction	0.45
Current Consumption	650mA (Max)
Power Supply	DC12V ±10%
IR Effect Distance	30m (Outdoor)
Weight	1330g
Dimensions	162 x 100 x 90mm
Storage Temperature	-30 ~ +60°C
Operating Temperature	-30 ~ +40°C
Warning: Non-regulative adaptor may cause camera damage.	



For further information please contact